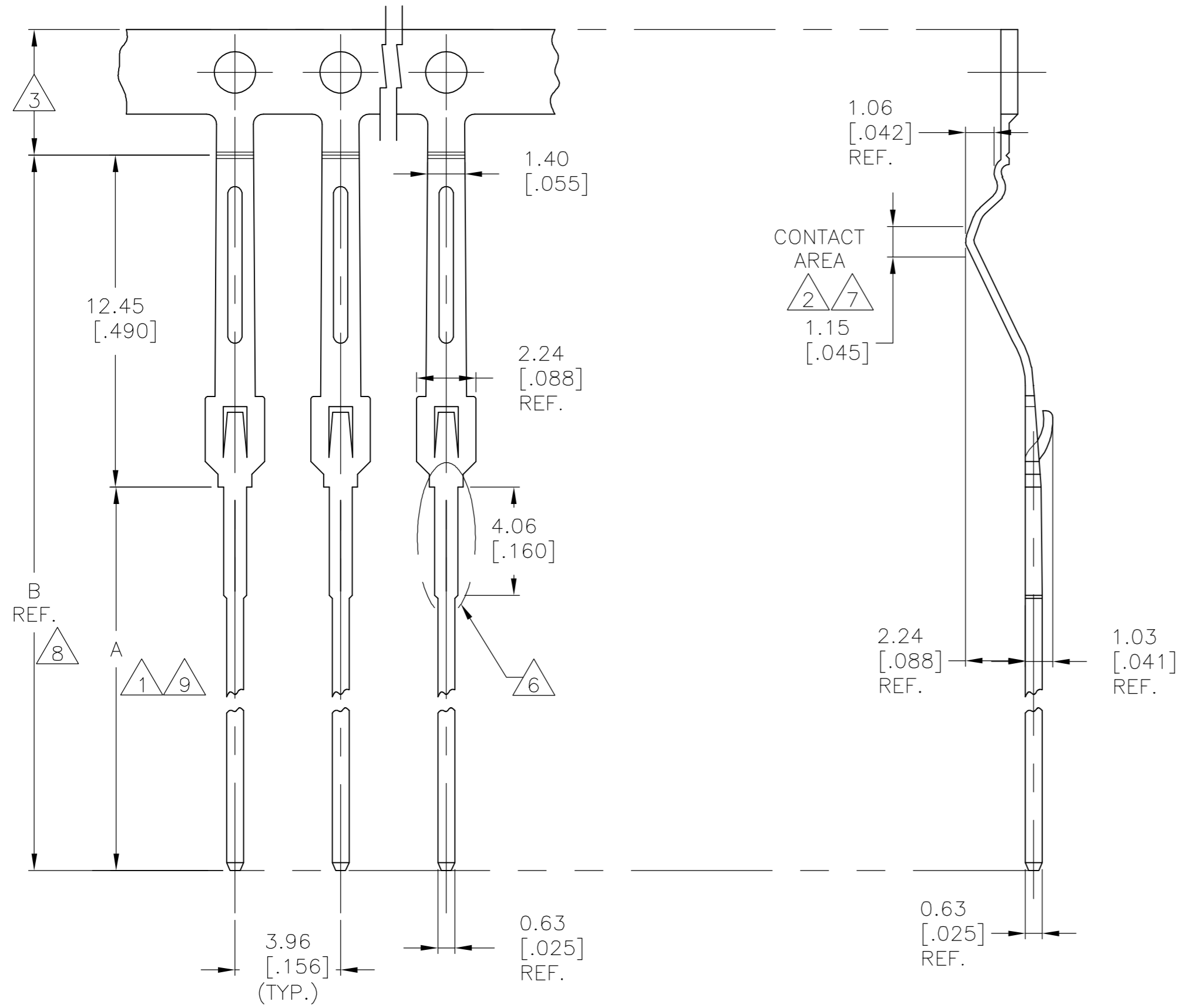
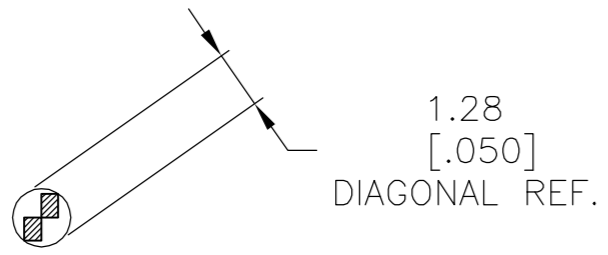


THIS DRAWING IS UNPUBLISHED. RELEASED FOR PUBLICATION
 © COPYRIGHT BY TYCO ELECTRONICS CORPORATION. ALL RIGHTS RESERVED.

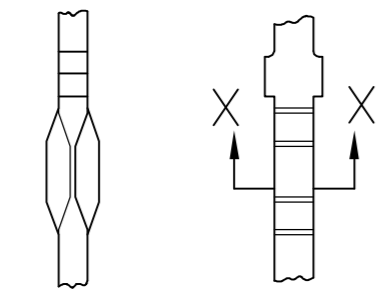
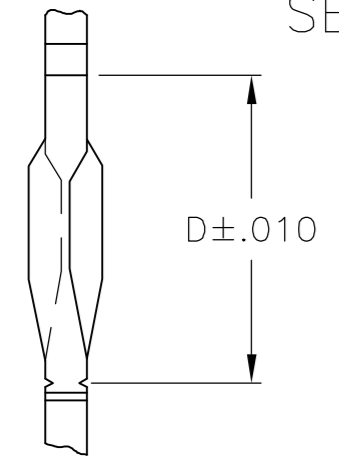
LOC		DIST		REVISIONS			
P	LTR	DESCRIPTION		DATE	DWN	APVD	
AD	14	K	REVISED PER EC 063C-0205-05	06MAR06	GS	MM	



- 1 GOLD PLATE PER MIL-0-45204 .000001 MIN. THK. OVER NICKEL PLATE.
- 2 GOLD PLATE PER MIL-G-45204 .000015 MIN. THK. OVER NICKEL PLATE.
- 3 PLATING IS NOT RREQUIRED ON CARRIER STRIP.
- 4. POST DIAGONAL .0310/.0350 AFTER PLATING
- 5. QUANTITY PER REEL-25,000
- 6 ACTION PIN AREA.
- 7 GOLD PL. PER MIL-G-45204 .000030 MIN. THK. OVER NICKEL PL.
- 8 GOLD PL. PER QQ-N-290 .000050 MIN. THK.
- 9 SOLDER PL. .000100 MIN. THK. OVER NICKEL PL.
- 10 MATTE TIN PL. .000100 MIN. THK. OVER NICKEL PL.



SECTION "X"- "X"



NOTE:
 REFER TO AMP SPEC. 106-14018 OR 106-14019, AS APPLICABLE FOR SPECIFIC HOLE SIZE RECOMMENDATIONS.

OBSOLETE

COMB NO.	DETAIL C(D)	FINISH	B	A	PART NO.
-	.160	7 8 10	.965	.475	7-117285-3
119328	-	7 8 10	.965	.475	6-117285-8
-	.160	UNPLATED	.965	.475	2-117285-7
-	.405		1.192	.702	2- OBSOLETE -5
-	.190		.965	.475	2- -4
-	.160		.965	.475	2- -3
-	.415		1.192	.702	2- OBSOLETE -2
-	.200		.965	.475	2- OBSOLETE -1
119529	.160		.965	.475	2- 0
119330	-		1.192	.702	1- 9
119328	-	7 8 9	.965	.475	1-117285-8

COMB NO.	DETAIL C(D)	FINISH	B	A	PART NO.
-		2 8 9	1.192	.702	1- OBSOLETE -7
-		2 8 9	.965	.475	1- -6
-		2 8 9	.965	.475	1- OBSOLETE -5
-			1.192	.702	1- OBSOLETE -4
-	.190	1 7 8	.965	.475	1- -3
-	.160	1 7 8	.965	.475	1- -2
-	.415	1 2 8	.965	.475	1- OBSOLETE -1
-	.200	1 2 8	.965	.475	1- OBSOLETE -0
-	.160	1 2 8	.965	.475	- 9
-		1 7 8	1.192	.702	117285-8
-		1 7 8	.965	.475	117285-7
-		1 2 8	1.192	.702	117285-5
-		1 2 8	.965	.475	117285-2

DETAIL C

VIEW V

ACTION PIN AREA

THIS DRAWING IS A CONTROLLED DOCUMENT.

DIMENSIONS: mm [INCHES]	TOLERANCES UNLESS OTHERWISE SPECIFIED:	DWN	-
	0 PLC ± -	CHK	-
	1 PLC ± -	APVD	-
	2 PLC ± -	PRODUCT SPEC	-
	3 PLC ± .010	APPLICATION SPEC	-
	4 PLC ± -	WEIGHT	-
	ANGLES ± 5°	CUSTOMER DRAWING	SCALE 6:1 SHEET 1 OF 1 REV K

MATERIAL: COPPER-NICKEL-TIN ALLOY STRIP, COPPER ALLOY NO.725, SPRING TEMPER

FINISH: 1 2 6 7

tyco Electronics
 Tyco Electronics Corporation
 Harrisburg, Pa 17105-3608

NAME: CONTACT, ECONOMATE I (.156 X .200 CL.)

SIZE: A2 CAGE CODE: 00779 DRAWING NO: C=117285 RESTRICTED TO: -